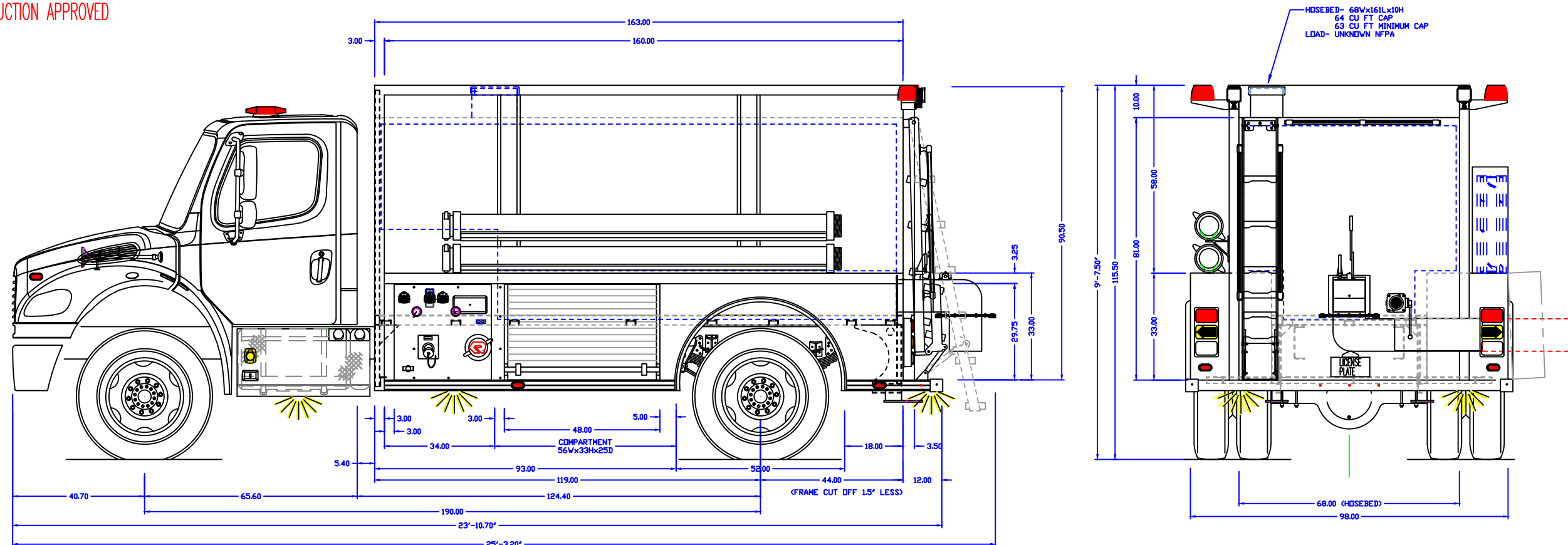


INITIALS: EH  
 JOB NUMBER: 22390  
 DATE: 7/20/2023

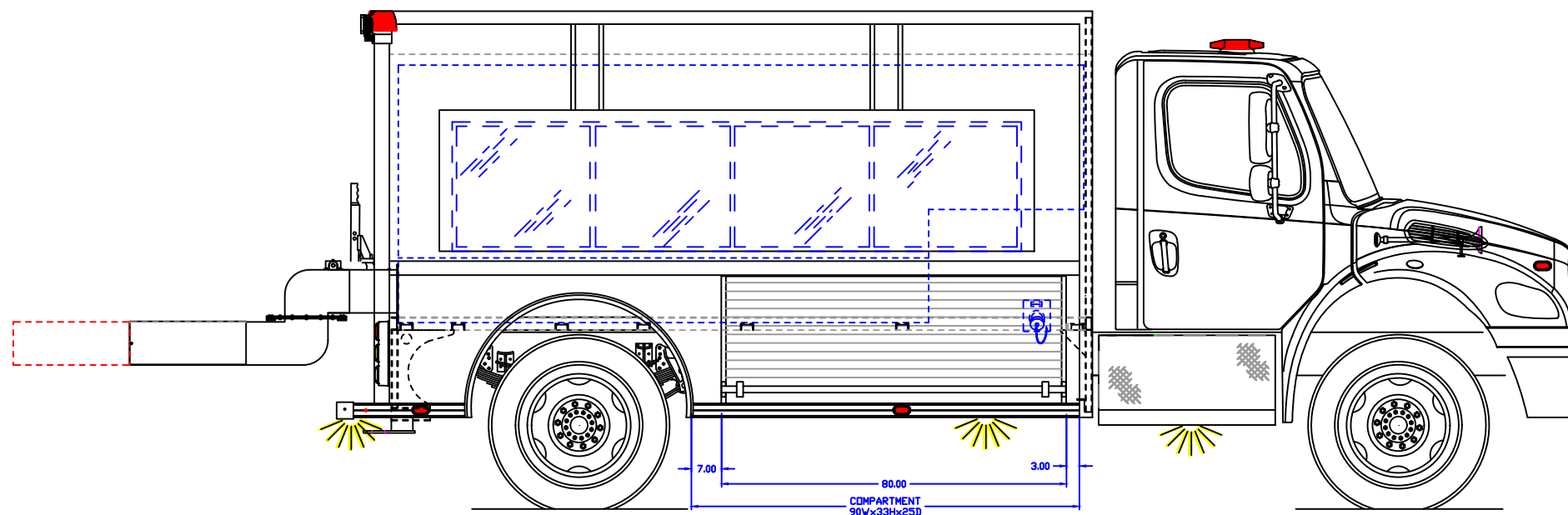
MAIN FILE: -  
 DEPT: -  
 DEALER: -

PRODUCTION APPROVED



HOSEBED- 68Wx161Lx10H  
 64 CU FT CAP  
 63 CU FT MINIMUM CAP  
 LOAD- UNKNOWN NFPA

- NOTES:
1. OVERALL HEIGHT IS IN LOADED CONDITION. UNLOADED HEIGHTS MAY BE 4" ABOVE HEIGHTS SHOWN.
  2. DO NOT SCALE DRAWING.
  3. ALL DIMENSIONS ARE APPROXIMATE AND SUBJECT TO ENGINEERING CHANGES.
  4. DRAWING MAY OR MAY NOT SHOW ALL ITEMS AS DESCRIBED IN THE WRITTEN DETAIL SPECIFICATIONS.
  5. INCLUSION OF AN ITEM ON THE DRAWING DOES NOT CONSTITUTE INCLUSION OF THAT ITEM WITH THE FINAL DELIVERED UNIT.
  6. THE EFFECTIVE DOOR OPENINGS WILL BE APPROX. 2" LESS THAN THE NOTED COMPARTMENT OPENING FOR ROLL UP DOORS AND UP TO APPROX. 4" LESS FOR HINGED DOORS



APPROVED BY:

CHASSIS: FREIGHTLINER

PUMP: DARLEY 500 GPM

TANK: POLY/2000

PANEL MATL: LINE X

COMP INTERIOR: SPATTER PAINTED

REVISED: MJ DATE: 7-13-23  
 DRAWN: MJ DATE: 6-27-22

PROPRIETARY AND CONFIDENTIAL  
 THE INFORMATION CONTAINED IN THIS DRAWING IS  
 THE SOLE PROPERTY OF ROSENBAUER. ANY  
 REPRODUCTION IN PART OR AS A WHOLE WITHOUT  
 THE WRITTEN PERMISSION OF ROSENBAUER IS  
 PROHIBITED.

MAXIMUM HEIGHT NONE

MAXIMUM LENGTH NONE

BODY WIDTH 98"

# 2000 GALLON STOCK RXT



PROGRAM FX 1/8"

DRAWING NUMBER: 2000 GALLON STOCK RXT  
 REV: -